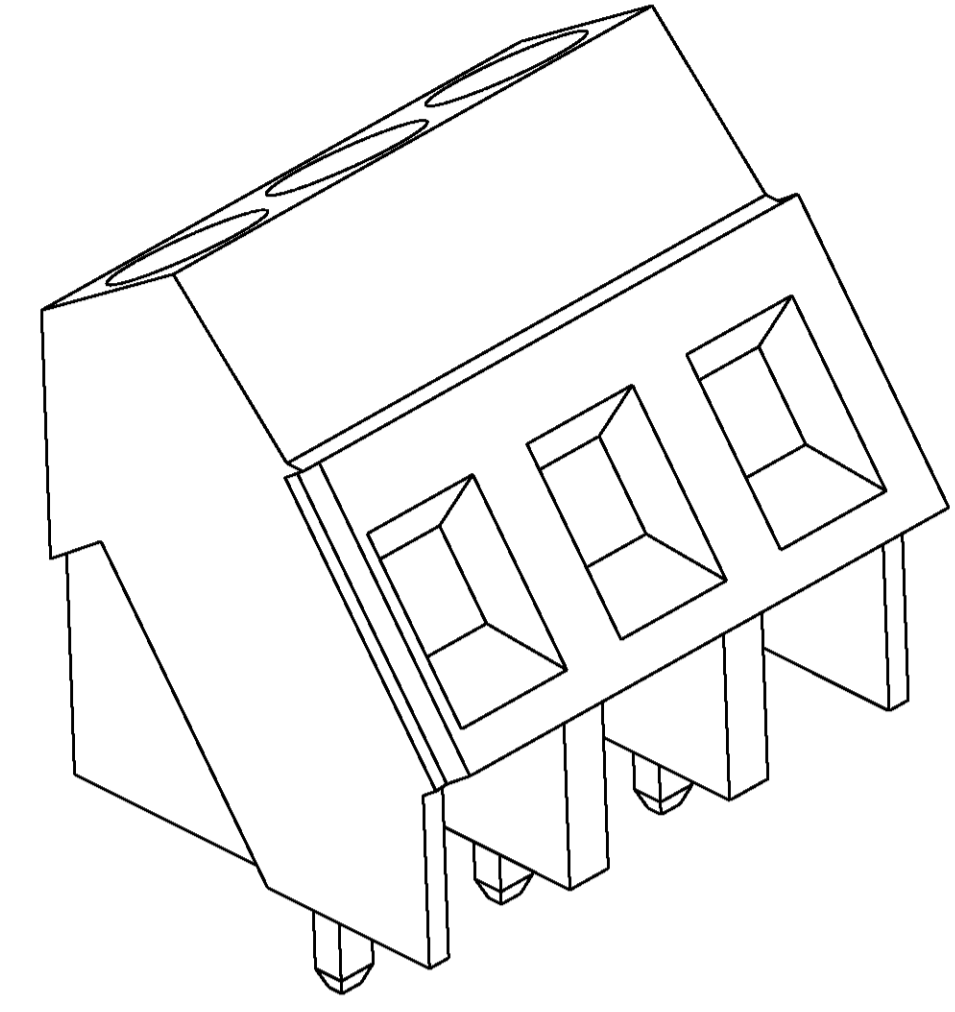
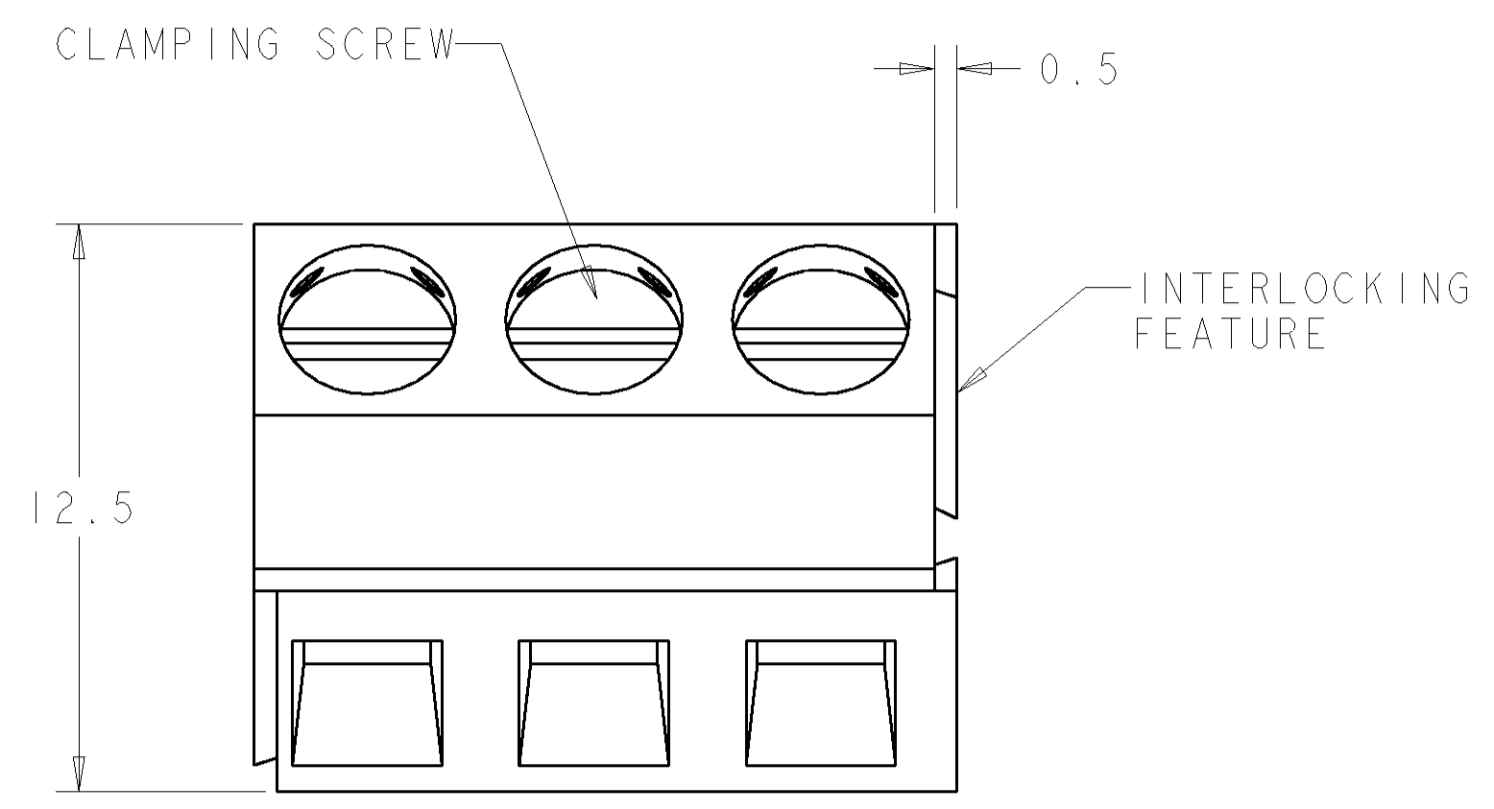
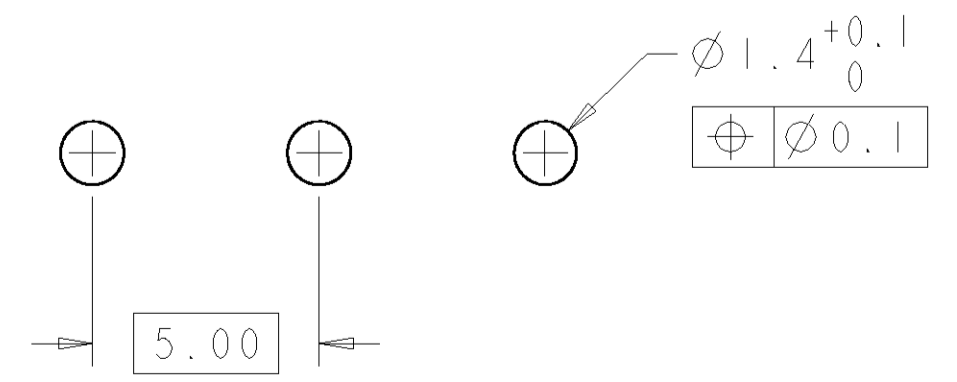
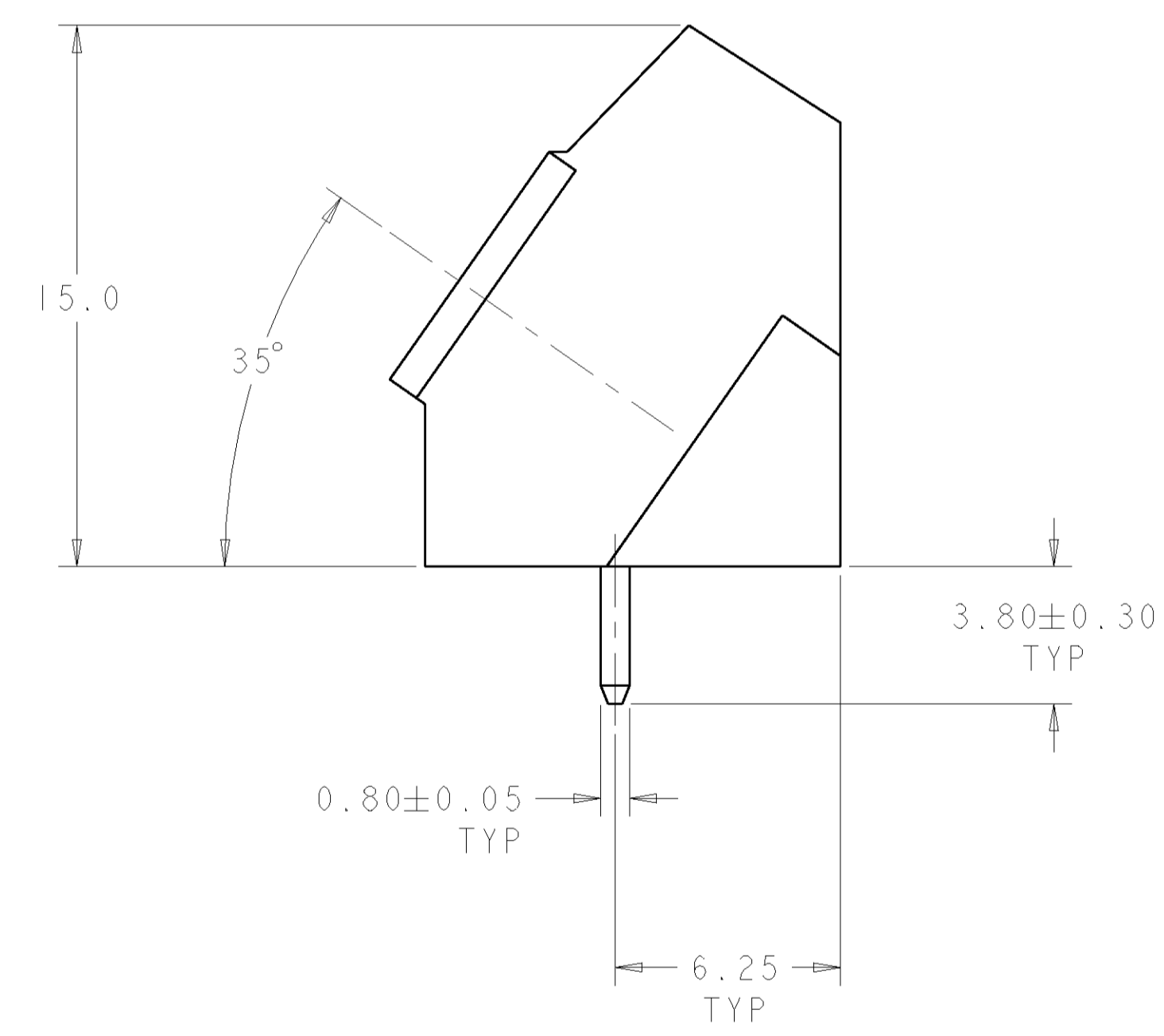
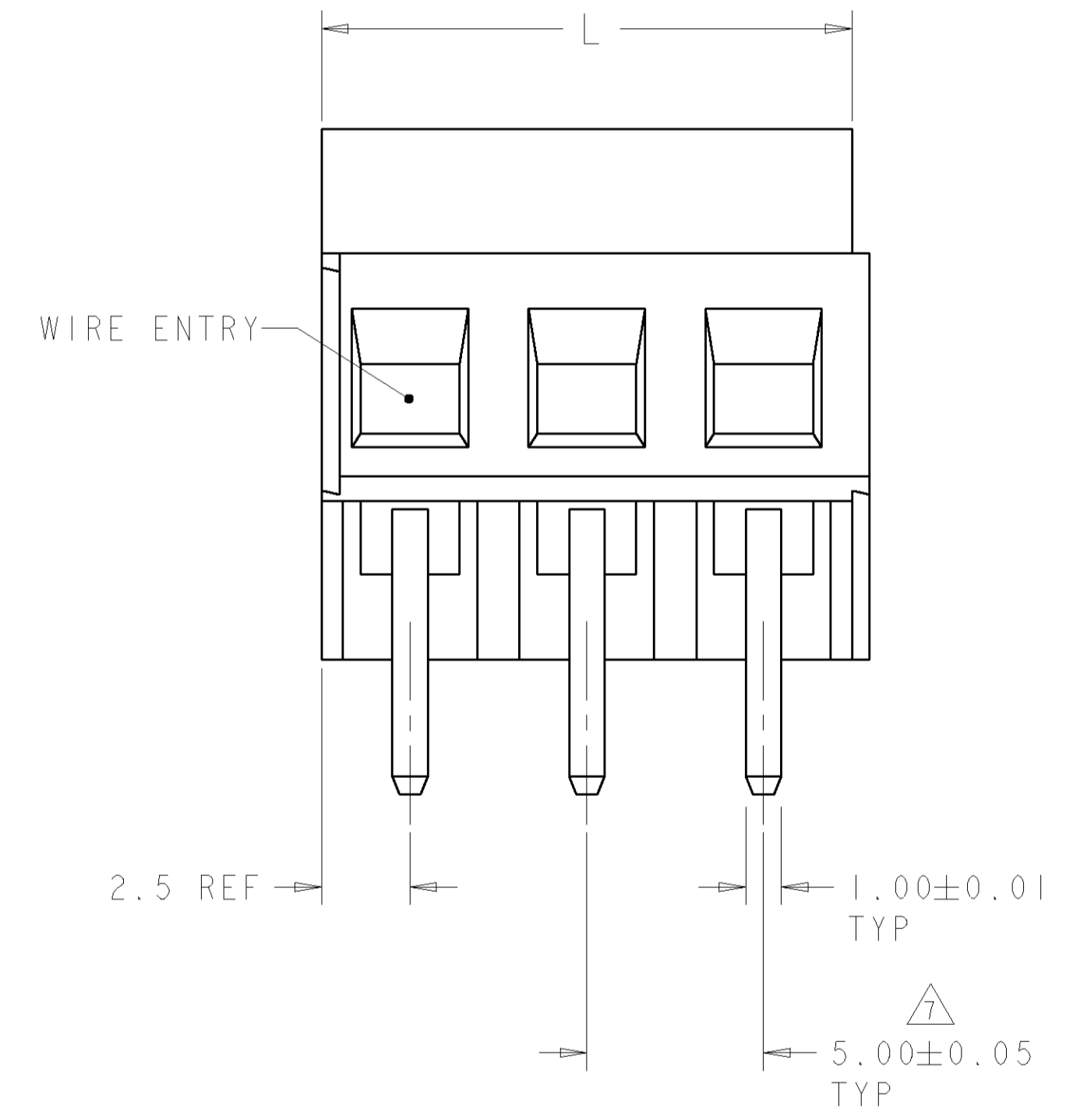


LOC	DIST	REVISIONS					
FT	0	P	LTR	DESCRIPTION	DATE	DWN	APVD
		A		RELEASED	-	-	-
		B		REVISED EC 063B-0797-03	30OCT2003	SW	CR



1546219-3 AS SHOWN

- △ MATERIALS AND FINISH:  
 HOUSING: PA 6-6, UL 94-V0, COLOR GRAY.  
 CLAMP: BRASS, NICKEL PLATED.  
 TERMINAL: BRASS, TIN PLATED.  
 CLAMPING SCREW: M3, BRASS, NICKEL PLATED.
- 2. SUITABLE FOR 1,6-2,4mm PCB THICKNESS.
- 3. END-TO-END STACKABLE W/INTERLOCK, WITHOUT LOSS OF CENTERLINE SPACING.
- 4. WIRE RANGE: 12-30 AWG.
- 5. RECOGNIZED UNDER THE COMPONENT PROGRAM OF UNDERWRITERS LABORATORIES INC. FILE N° E60677.
- 6. IMQ CERTIFICATE WITH SURVEILLANCE IN CONFORMITY WITH IEC 998-1/998-2-1.
- △ NOT CUMULATIVE TOLERANCE.
- 8. BUCHANAN LOGO TO APPEAR ON HOUSING, LOCATION OPTIONAL, WHERE SPACE PERMITS.



RECOMMENDED PC BOARD LAYOUT

60	12	1-1546219-2
55	11	1-1546219-1
50	10	1-1546219-0
45	9	1546219-9
40	8	1546219-8
35	7	1546219-7
30	6	1546219-6
25	5	1546219-5
20	4	1546219-4
15	3	1546219-3
10	2	1546219-2
L	NO OF POSN	PART NUMBER

DIMENSIONS:		TOLERANCES UNLESS OTHERWISE SPECIFIED:		DWN S. WELDON 16 JUN 2003		EHW C. RICHARD 16 JUN 2003		APVD C. RICHARD 16 JUN 2003		NAME	
mm		0 PLC ±.3		108-20166		114-20079		114-20079		BUCHANAN	
		1 PLC ±.25		APPLICATION SPEC		WEIGHT		SCALE 3:1		SHEET 1 OF 1	
MATERIAL		FINISH		CUSTOMER DRAWING		00779		C=1546219		REV B	